

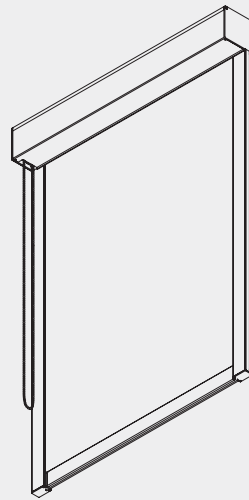
Dim-Out Blind Systems





Chain Operated Dim-Out Blind System

Silent Gliss® 4730 Medium



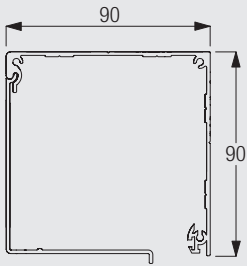
Product Information

- Technically advanced chain-operated dim-out blind system.
- Up to 2.2m wide, 2.4m high or 5.3 m² with a maximum weight 3.7kg.
- Easy click-in side profiles.
- Inside or outside recess fitting.
- Supplied powder coated black or white.
- Fabrics are 'zipped' into the side profiles.
- Delivered ready-assembled made-to-measure.
- Suitable for inclined positions up to 15° from vertical.
- Spring assisted when required (larger sizes).

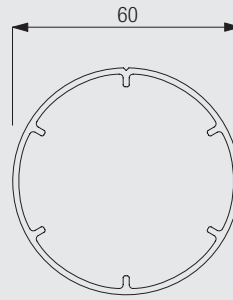


4730

Profile and Bending Information



10996-7

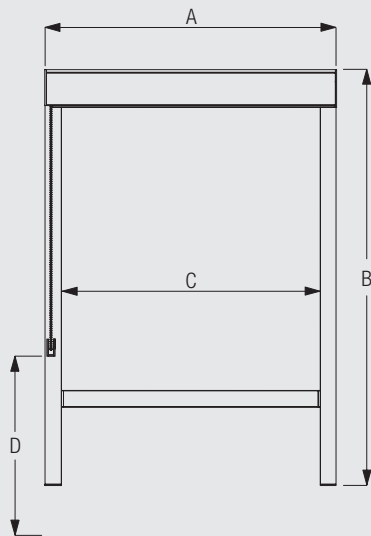


11037



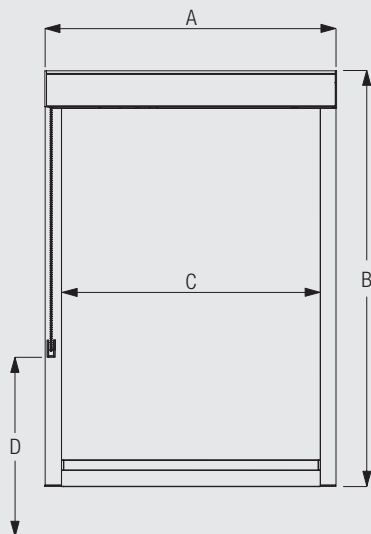
How To Measure

Inside fitting



- A: System width
- B: System drop
- C: Fabric width
- D: Safety Retainer 10400 min. 150cm above floor

Face fitting



- A: System width
- B: System drop
- C: Fabric width
- D: Safety Retainer 10400 min. 150 cm above floor

System Dimensions



2.2m



65cm



2.4m



5.3m²

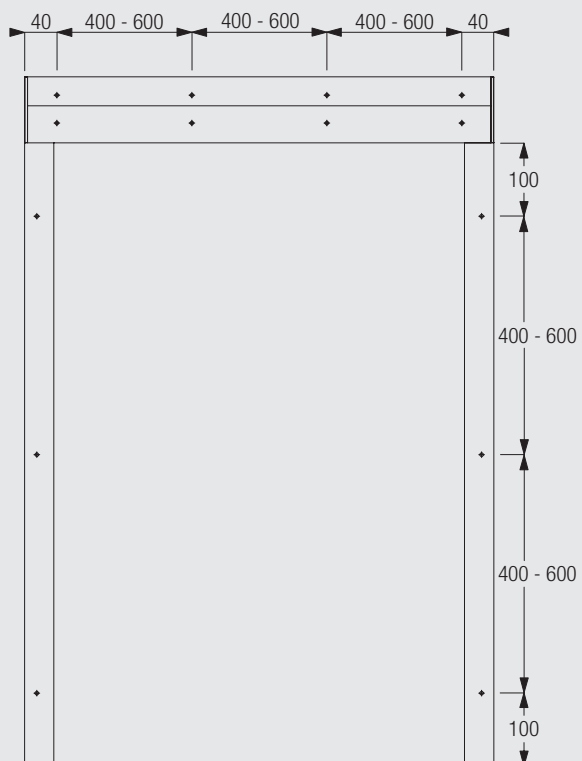


3.7kg

Please note: The max. system width/drop also depends on the fabric type.

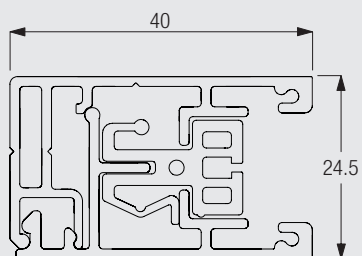
Fitting Information

Positioning of drill holes



4730

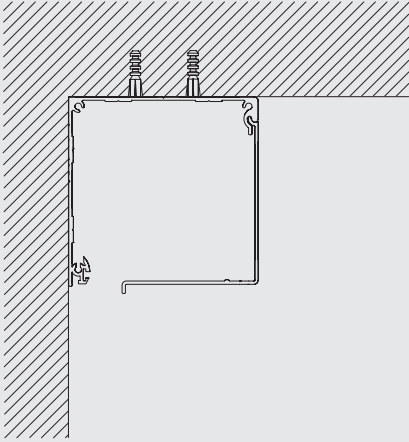
Side profiles 11001 and 11002



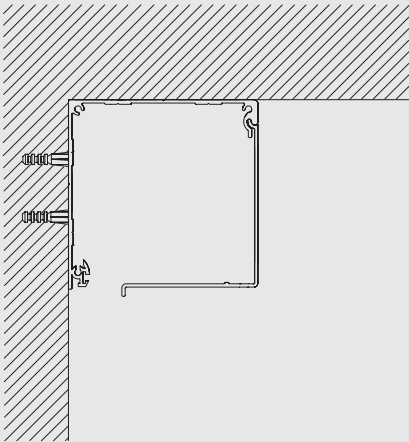
Drawing includes the zip profile.

Fitting Options

Ceiling fitting with direct mounting

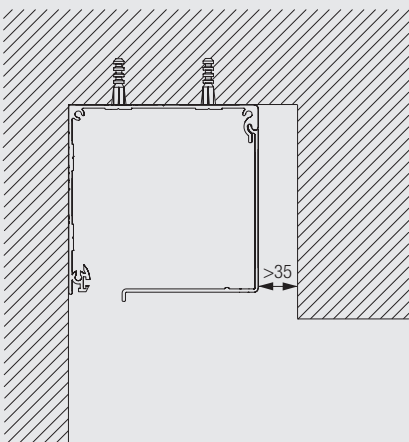


Wall fitting with direct mounting



4730

Recess fitting with direct mounting



Standard Accessories

10400 Safety Cord Retainer

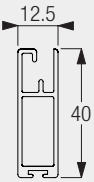
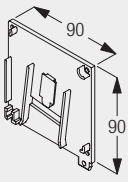


10961 Zip profile



10993	Bottom weight		11001	Side guide case	
11002	Side guide cover		11002	Side guide cover	
11011	Clip for support		11012	Clip for chain drive	
11024	Zip guide		11026	Cover left for side guide	
11027	Cover right for side guide		11028	Bottom weight guide left	
11029	Bottom weight guide right		11030	Bottom weight cover	
11032	Chain drive (M)		11037	Profile tube, 60 mm	
11040	Stainless steel bead chain (ø 4.5 mm)		10996-7	Box case and cover, 90 mm	

Useful Measures

10993	Bottom weight		11006	Side cover left for box, 90 mm	
-------	---------------	---	-------	--------------------------------	---



4730

www.silentgliss.co.uk

www.silentglissglobal.com

Silent Gliss Ltd
Pyramid Business Park
Poorhole Lane
Broadstairs
Kent
CT10 2PT
Great Britain

Tel: +44 (0) 1843 863571
Fax: +44 (0) 1843 864503
info@silentgliss.co.uk

Silent Gliss Global Ltd
Pyramid Business Park
Poorhole Lane
Broadstairs
Kent
CT10 2PT
Great Britain

Tel: +44 (0) 1843 874250
Fax: +44 (0) 1843 874457
info@silentglissglobal.com