

ron_

ceiling raft

Ron gets his head down, works hard, and no one really notices him until he is gone. The ceiling raft helps to manage reverberation and deliver optimal ambient sound levels. Provided with a ceiling suspension kit as standard.

Choose from 2 shapes, 2 sizes and 18 colours in the ultra versatile and durable 24mm Styleboard range, a sustainable acoustic PET fibre board with 60% recycled plastic content. To add extra depth and texture, ask us about including etching, dual layers, design cutting, digital printing and fabric wrapping.

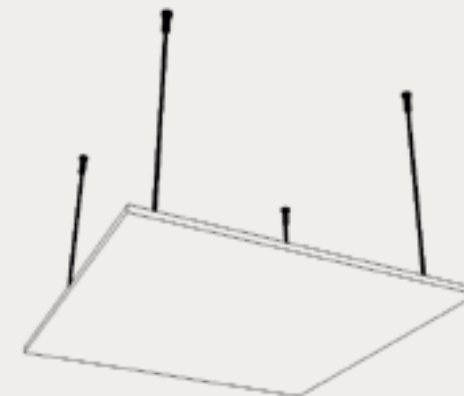
Component design	Dimensions (mm)	Pack Size
Circular small	600 w x 600 h x 24 d	8
Circular large	1200 w x 1200 h x 24 d	2

Component design	Dimensions (mm)	Pack Size
Square small	600 w x 600 h x 24 d	8
Square large	1200 w x 1200 h x 24 d	2

ron component designs:



Circular
(includes Ceiling suspension kit)



Square
(includes Ceiling suspension kit)



Create your own - choose from
18 colours in the Styleboard range
page 110

it's all in the details:

Product name: Ron

Description: Ceiling raft

Material: 24mm Styleboard

Colour: Choose from 18 colours in the Styleboard range

Standard size:

Little: 600mm

Large: 1200mm

Quantity:

Little: 8 units per pack

Large: 2 units per pack



CAD files available for download on our website stansons.co.uk



Made from 24mm Styleboard, a sustainable acoustic PET fibre board with 60% recycled plastic content



Scan for more inspiration and product suggestions