

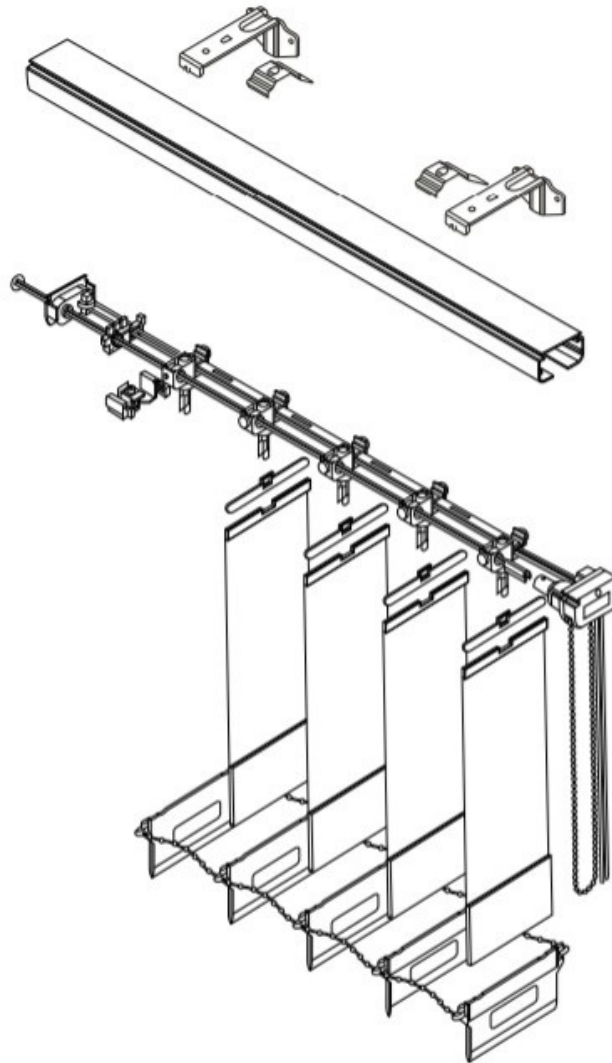


VL89 Vertical System_



STANSONS_

VL89 Vertical System



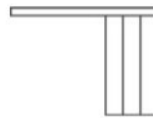
STANSONS VERTICAL BLIND STACKING & CONTROL OPTIONS



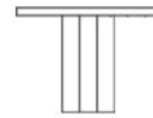
Split stack, controls either RH or LH (cannot supply split stack when wand operation)



LH stack, controls either RH or LH



RH stack, controls either RH or LH



Center stack, controls either RH or LH (cannot supply center stack when wand operation)

VL89 VERTICAL SYSTEM

FEATURES

The Stansons Vertical Blind System is the result of years of experience in producing high quality products specifically designed for maximum performance and minimal maintenance.

BENEFITS

The Stansons vertical blinds offer an affordable and functional way to control the light and view of windows and doors.

OPTIONS

A great solution for covering sliding doors and wide windows, with effortless functionality. With a wide range of fabrics from black-out, dimout, light filtering, solar reflective, anti bacteria, self cleaning, solid pvc and many more options, we are sure to find a solution to meet the demand for any commercial application.

STANDARDS

Stansons headrail in White

J hook runners

RH controls, RH stacking (unless otherwise specified)

White cord

Metal chain

Top fix brackets (including raul plugs and screws)

Two brackets supplied for blinds up to 1200mm wide,

One additional bracket supplied per 600mm increment

One child safety P clips per blind

Linked bottom weights & chains

Maximum Measurements

Maximum width	4,0 m
Maximum height	3,0 m
Maximum surface	12,0 m ²

Available colours



Technical specifications

89mm Slat

Minimum width	15 cm
Maximum width	4 m
Minimum height	15 cm
Maximum height	3 m

Stacking size

Width	89mm Slat
80 cm	20 cm
120 cm	26 cm
160 cm	32 cm
200 cm	38 cm
240 cm	44 cm
300 cm	53 cm

Control Options

Plastic Chain

Wand Control

Weights & Chaining

Encapsulated bottom weights

Fixing Options

Face fix brackets



STANSONS_

