

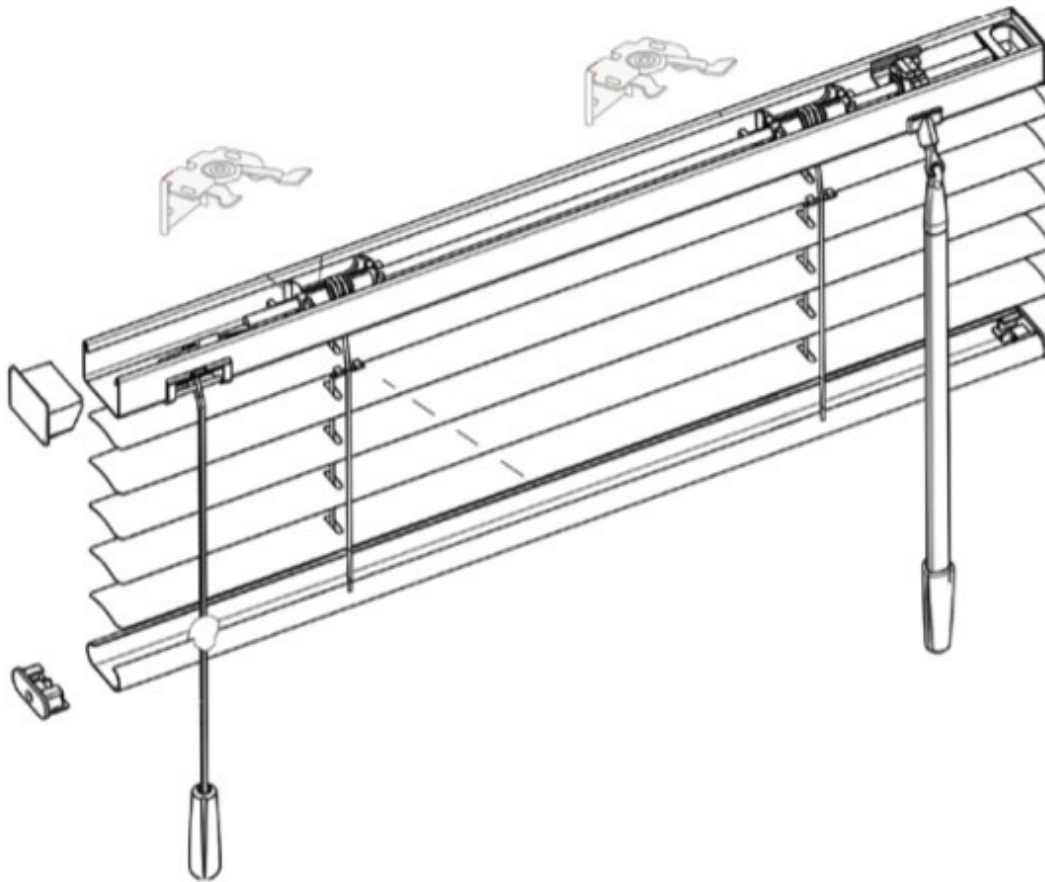


VB25 Venetian System_



STANSONS_

VB25 Venetian System



RSL83 G400 CLUTCH

RSL83 83mm
TUBE ADAPTER

RSL83
IDLE END

RTEA6T16 83mm
TUBE

VB25 VENETIAN SYSTEM

FEATURES

They provide a cost-effective, flexible shading solution offering multiple levels of light control with a simple slat movement.

BENEFITS

They provide a cost-effective, flexible shading solution offering multiple levels of light control with a simple slat movement.

OPTIONS

Choose from a wide choice of colours in 25mm, along with perforated finishes. Knob control.

Maximum Measurements

	25mm
Maximum width	3,0 m
Maximum height	3,0 m
Maximum surface	9,0 m ²

Available colours

More than **80 colours** available to select from.

Technical specifications

25mm Slat

Minimum width with controls on both sides	22 cm
Minimum width with controls on one side	36 cm
Maximum width	300 cm
Minimum height	5 cm
Maximum height	300 cm

Stacking size

Width	89mm Slat
80 cm	5,66 cm
120 cm	6,38 cm
160 cm	7,10 cm
200 cm	7,82 cm
240 cm	8,58 cm
300 cm	9,66 cm



STANSONS_

