



# **RSL63 Roller System\_**



**STANSONS\_**

# RSL63

## Roller System

The RSL63 Roller System offers sleek rounded chain guard profiles which are ideal for both residential and commercial applications. The premium G400 clutch features an advanced geared patented technology, the planetary gearing mechanism enhances the lifting capacity by up to three times all whilst retaining minimal user effort

### Aesthetical Features:

- Sleek, rounded chain guard design
- Reduced light gaps

### Assembly / Production Features

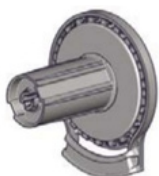
- Greater flexibility in installation with spring loaded idle end
- Universal brackets
- Hooked clutches for a secure application
- Easy chain attachment

### Functional Benefits

- Smooth operation
- Long-lasting fiberglass-filled nylon construction
- RSL63 G400 geared clutch (gearing ratio 1.7:1 - up to 24.1 Kg lifting capacity)
- Limited Lifetime Warranty



RSL63 G400 CLUTCH



RSL63 63mm  
TUBE ADAPTER



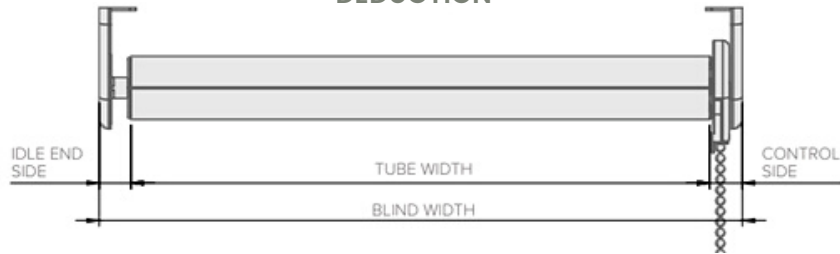
RSL63  
IDLE END



RTEA6T16 63mm  
TUBE



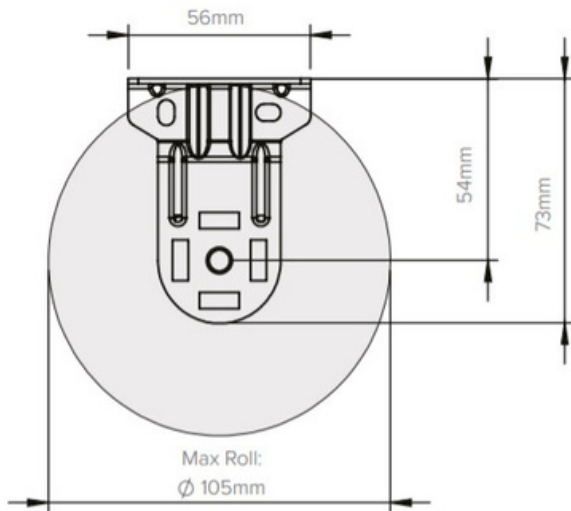
### DEDUCTION



Minimum blind size, G400 mech, 300mm

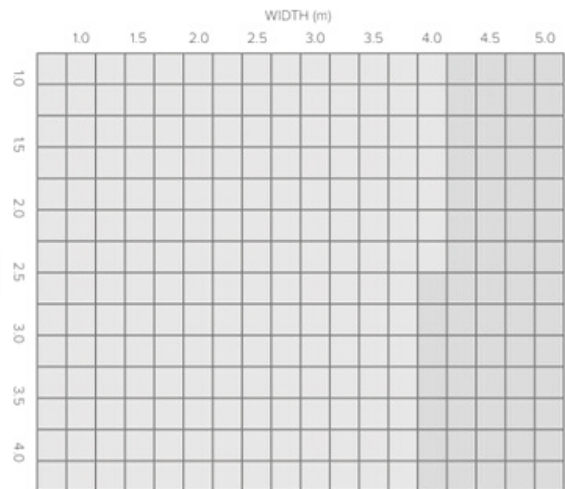
	OVERALL DEDUCTIONS	CONTROL SIDE (SL10)	IDLE SIDE DEDUCTIONS
Without covers	28	15	13
With covers	32	17	15

### RSL63 MAX. ROLL DIAMETER



### SYSTEM CAPACITY

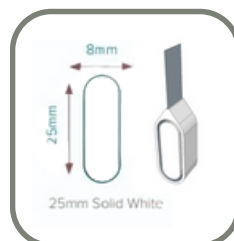
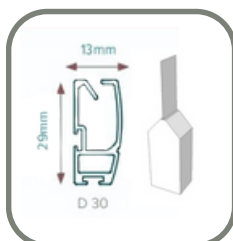
Based on recommended user effort

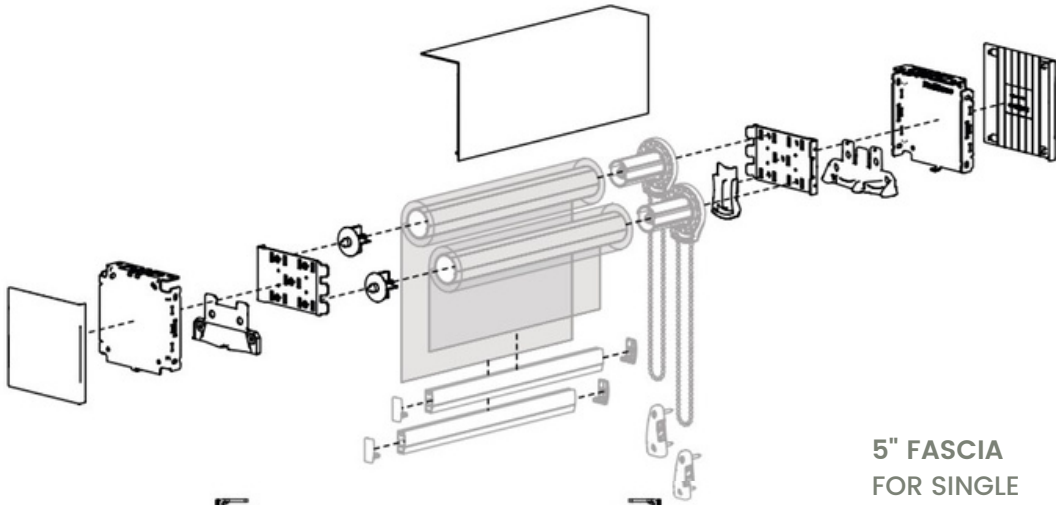


CONTROL	TUBE
SL63 G400 Clutch	RTEA6T16 63mm Tube
Outside Specifications	

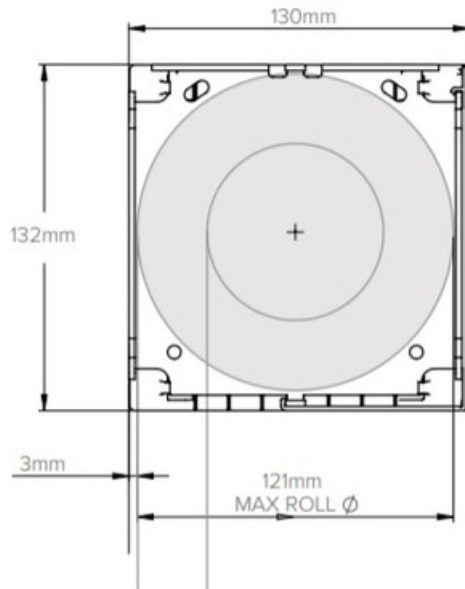
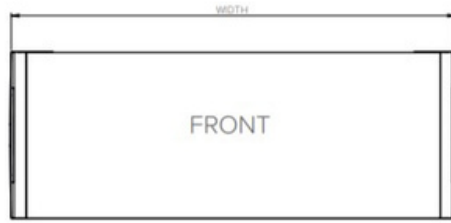
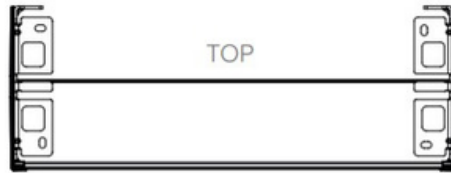
Chart based on a 63mm tube, 420gm fabric weight, 0.6mm fabric thickness & external bottom bar.

### BOTTOM BARS





5" FASCIA  
FOR SINGLE  
ROLLER ONLY



## Features

- Levelling Control
- Simple limit setting and adjustment
- Favourite position
- 3 operational speed settings available
- 2 way RF communication
- Rechargeable built in Li-ion battery
- Up to 500 up & down cycles, per charge (based on recommended max. shade size)
- New ARC protocol for simple programming

## Benefits

AUTOMATE | Li-ion ARC motors offer a wire free rechargeable easy to use and program solution to suit a large range of applications with varying torques and speed levels.

The Levelling Control feature allows for precise positioning of multiple shades ensuring perfect alignment. Additionally, a favourite position can be pre-set and recalled at any time.

## Motorisation Optional Extras

Rollease Automate LI-ON Motor

10Nm Rollease 240V RTS Motor 15Nm

Automate LI-ON AC/DC charger (UK)

Automate 1 channel handset

Automate 5 channel handset

Automate 1 channel wall switch

Automate pulse hub

Automate solar panel

Also compatible with Somfy motorisation

## Standards

63mm tube

RSL63 Mechanism

RH Controls (unless otherwise specified)

Metal chain

White brackets

White round aluminium bottom bar

1 child safety P-clip per blind

## Optional extras

Bracket covers, white plastic

1mm Nylon coated steel guide wires (independently fixing) D30 bottom bar only (included in price)

Sewn in bottom bar

Silver aluminium bottom bar

Welded bottom pocket with open ends

Welded bottom pocket with closed ends

D30 bottom bar white

5" fascia for single roller only

