



RSL38 Roller System_



STANSONS_

RSL38

Roller System

The RSL38 Roller System offers sleek rounded chain guard profiles which are ideal for both residential and commercial applications. The RSL38 System can lift between 3.6 and 5.9 kg

Aesthetical Features:

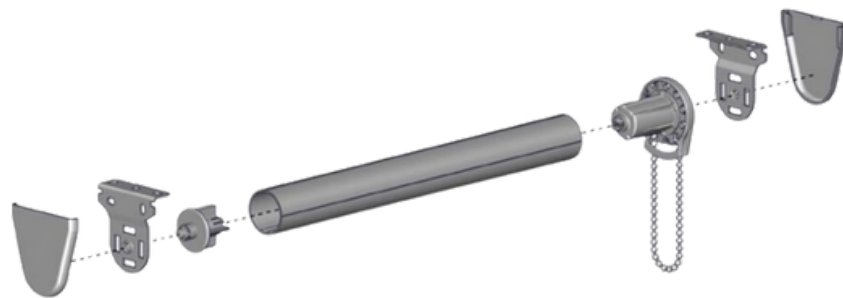
- Sleek, rounded chain guard design
- Reduced light gaps

Functional Benefits

- Smooth operation
- Long-lasting fiberglass-filled nylon construction
- Limited lifetime warranty

Assembly / Production Features

- Greater flexibility in installation with spring loaded idle end
- Universal brackets
- Hooked clutches for a secure application
- Easy chain attachment



RSL38 CLUTCH - SL10



RSL38 IDLE END



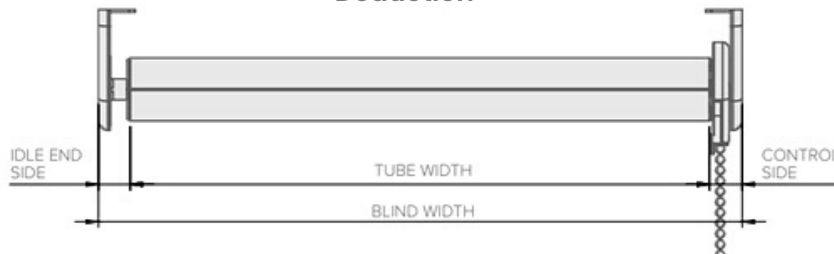
RBS38 38MM TUBE



RBS38 DOUBLE BRACKET



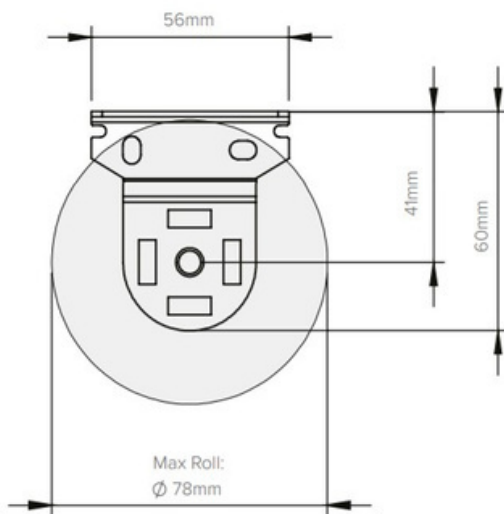
Deduction



Minimum blind size, SL15 mech, 200mm

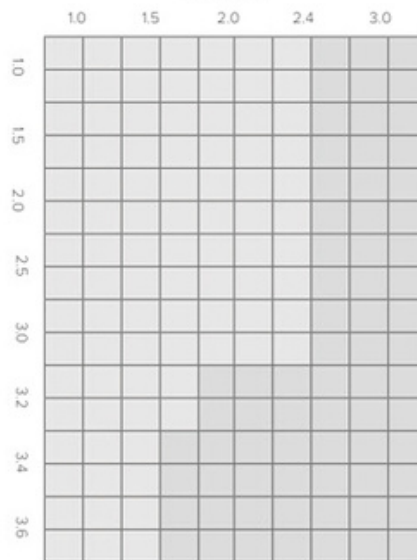
	OVERALL DEDUCTIONS	CONTROL SIDE (SL10)	IDLE SIDE DEDUCTIONS
Without covers	28	15	13
With covers	32	17	15

RSL38 MAX. ROLL DIAMETER



System capacity

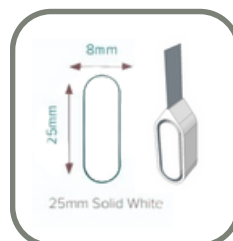
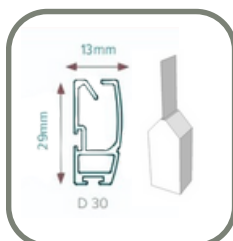
Based on recommended user effort

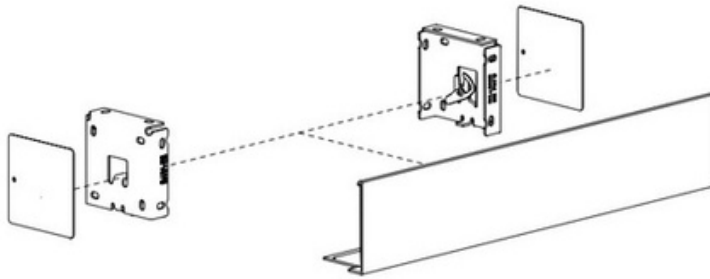


CONTROL	TUBE
RSL38 Clutch	RBS38 Tube
	Outside Specifications

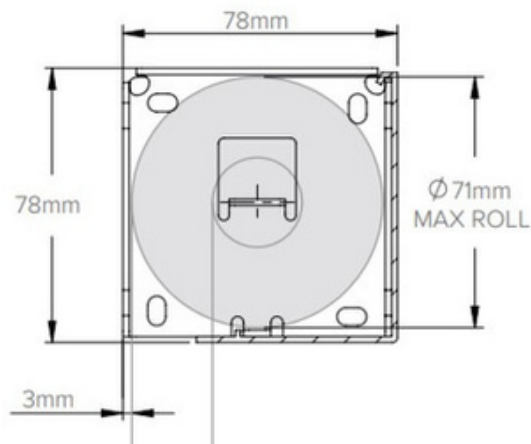
Chart based on a 38mm tube, 420gm fabric weight, 0.6mm fabric thickness & external bottom bar

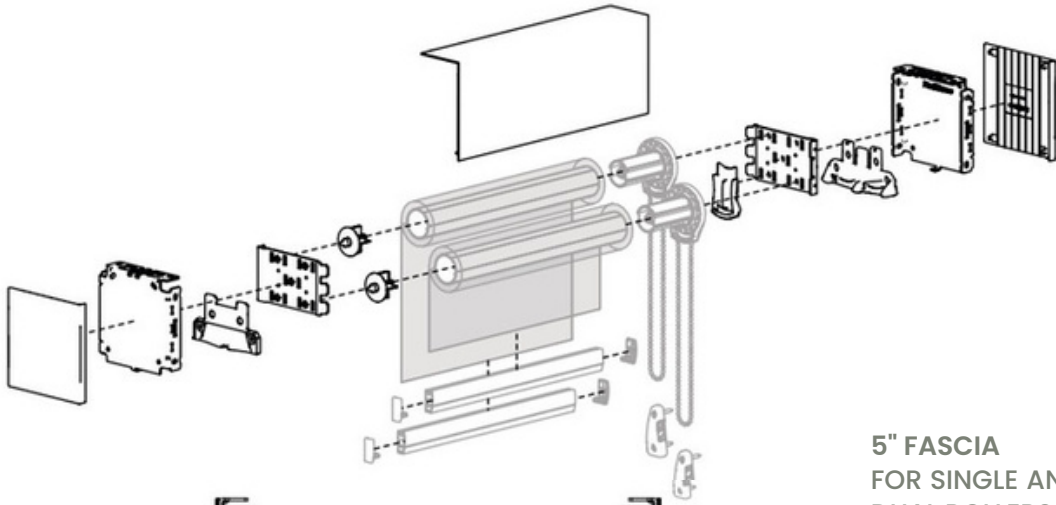
BOTTOM BARS



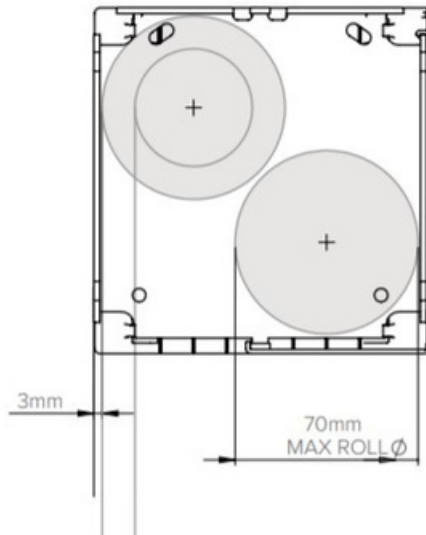
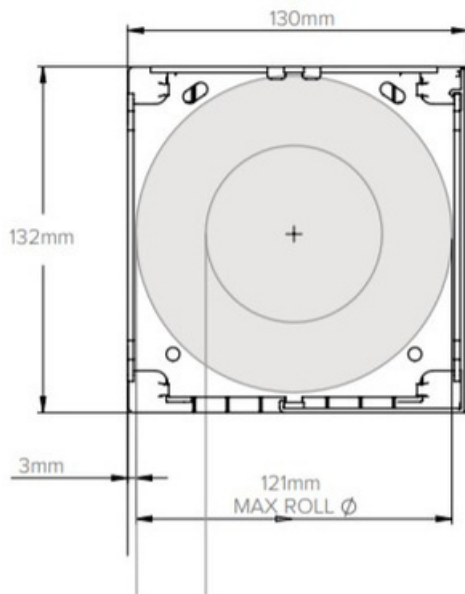


3" FASCIA
FOR SINGLE
ROLLER





5" FASCIA
FOR SINGLE AND
DUAL ROLLERS



Features

Levelling Control

Simple limit setting and

adjustment Favourite position

3 operational speed settings available

2-way RF communication

- Rechargeable built in Li-ion battery
- Up to 500 up & down cycles, per charge

(based on recommended max. shade size)

New ARC protocol for simple programming

Benefits

AUTOMATE | Li-ion ARC motors offer a wire free rechargeable easy to use and program solution to suit a large range of applications with varying torques and speed levels.

The Levelling Control feature allows for precise positioning of multiple shades ensuring perfect alignment. Additionally, a favourite position can be pre-set and recalled at any time.

Motorisation Optional Extras

Rollease Automate LI-ON Motor 1.1Nm

Rollease Automate LI-ON Motor 2Nm

Rollease E6 240V RTS Motor 6Nm

Rollease M6 240V Hardwire Motor 6Nm

Automate LI-ON AC/DC charger (UK)

Automate 1 channel handset

Automate 5 channel handset

Automate 1 channel wall switch

Automate pulse hub

Automate solar panel

Also compatible with Somfy motorisation

Standards

38mm single slot tube

RSL38 Mechanism

RH Controls (unless otherwise specified)

Metal chain

White brackets

White round aluminium bottom bar

1 child safety P-clip per blind

Optional extras

Bracket covers, white plastic

1mm Nylon coated steel guide wires (independently fixing) D30 bottom bar only (included in price)

Sewn in bottom bar

Silver aluminium bottom bar

Welded bottom pocket with open ends

Welded bottom pocket with closed ends

D30 bottom bar white

Double Brackets

3" fascia for single roller

5" fascia for single and dual rollers

