



RSL32 Roller System_



STANSONS_

RSL32

Roller System

The RSL32 Roller System offers sleek rounded chain guard profiles which are ideal for both residential and commercial applications. The RSL32 System can lift between 3.6 and 5.9 kg.

Aesthetical Features:

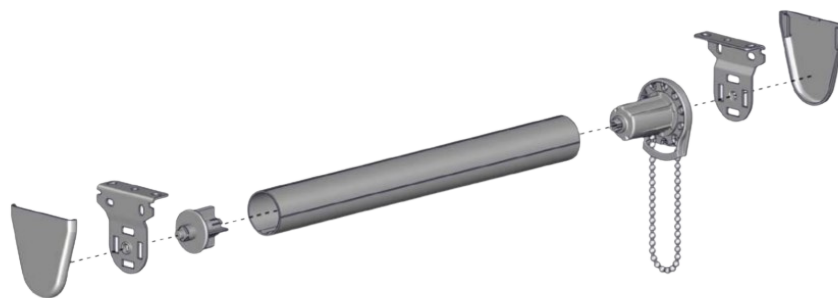
- Sleek, rounded chain guard design
- Reduced light gaps

Functional Benefits

- Smooth operation
- Long-lasting fiberglass-filled nylon construction
- Limited lifetime warranty

Assembly / Production Features

- Greater flexibility in installation with spring loaded idle end
- Universal brackets
- Hooked clutches for a secure application
- Easy chain attachment



RSL32 CLUTCH - SL10



RSL32 IDLE END



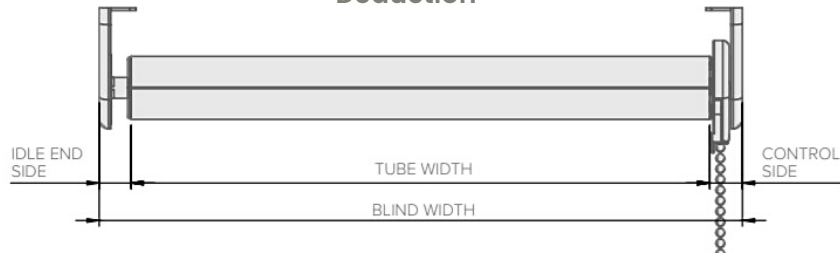
RBS32 32MM TUBE



RBS32 DOUBLE BRACKET



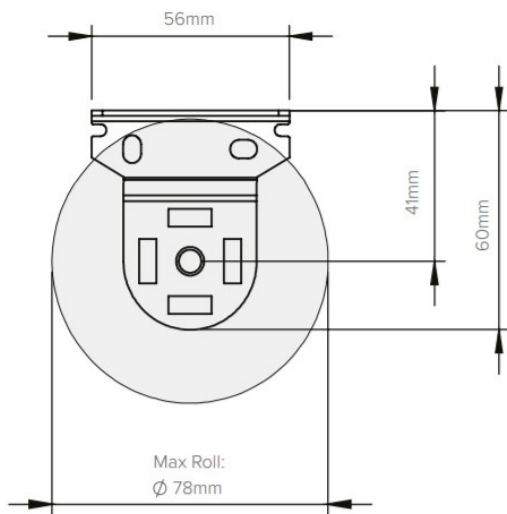
Deduction



Minimum blind size, SL10 mech, 200mm

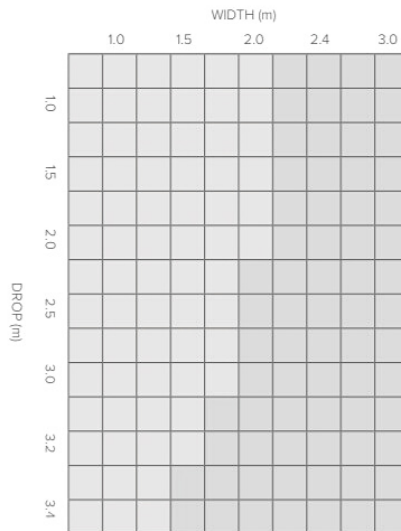
	OVERALL DEDUCTIONS	CONTROL SIDE (SL10)	IDLE SIDE DEDUCTIONS
Without covers	28	15	13
With covers	32	17	15

RSL32 MAX. ROLL DIAMETER



System capacity

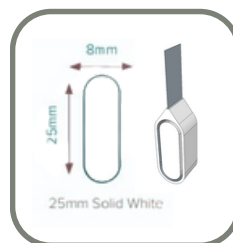
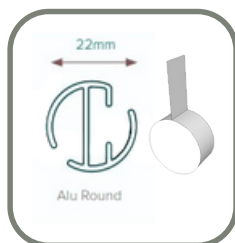
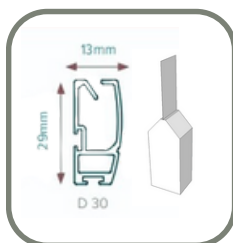
Based on recommended user effort

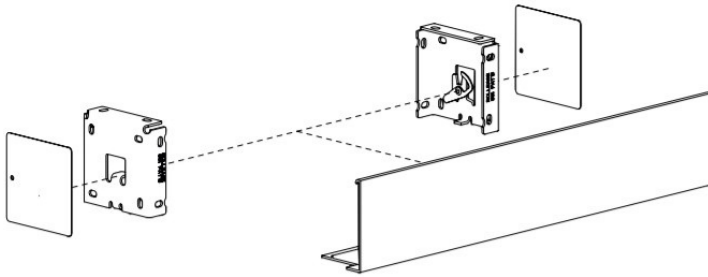


CONTROL	TUBE
RSL32 Clutch	RBS32 Tube
	Outside Specifications

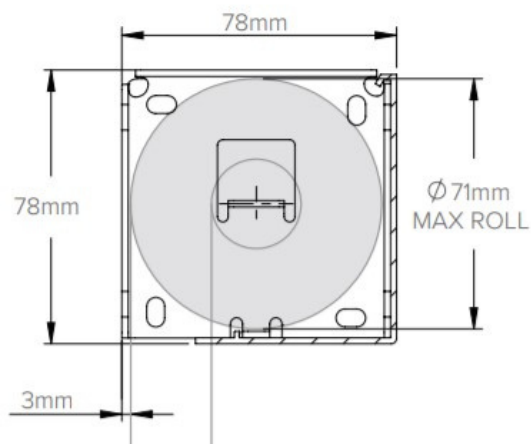
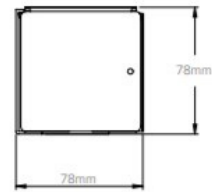
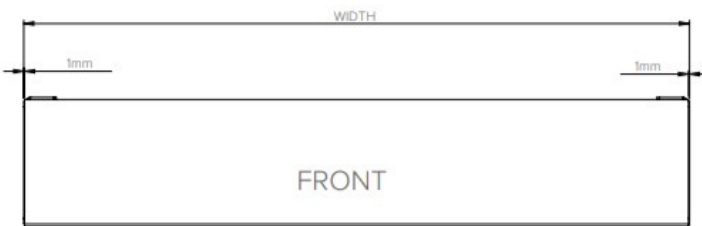
Chart based on a 32mm tube, 420gm fabric weight, 0.6mm fabric thickness & external bottom bar

BOTTOM BARS





3" FASCIA
FOR SINGLE
ROLLER



Standards

32mm single slot tube

RSL38 Mechanism

RH Controls (unless otherwise specified)

Metal chain

White brackets

White round aluminium bottom bar

1 child safety P-clip per blind

Optional Extras

Bracket covers, white plastic

1mm Nylon coated steel guide wires (independently fixing) D30 bottom bar only (included in price)

Sewn in bottom bar

Silver aluminium bottom bar

Welded bottom pocket with open ends

Welded bottom pocket with closed ends

D30 bottom bar white

Double Brackets

3" fascia for single roller

