



5600 cord operated track_

for light and medium and heavy-weight curtains



STANSONS_

5600

cord operated track

The Stansons 5600 profile is a sturdy track that can be invisibly mounted on a ceiling. The curtains glide smoothly virtually without sound. Using the cord to open and close the curtains keeps the fabric clean. A very popular track that can be used in a wide variety of situations, such as private homes, but also in office buildings and in the care sector.

- The ideal track for sheers, medium-heavy or heavy curtains
- Easy to bend and exceptional quality.
- Can be forward or reverse bent in different radii.
- Compatible with the Stansons Flow System for regularly pleated curtains.
- The cords can run through enclosed channels to ensure they remain invisible and cannot tangle.
- Silent and smooth running, also round bends.



standard colours

Natural anodised



RAL 9010 white



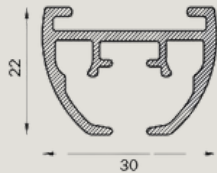
features

MATERIAL:	ALUMINIUM
COLOUR:	WHITE NATURAL METALIC,
DIMENSIONS:	22 X 30 MM
WEIGHT PROFILE:	492 GR/MI
MOUNTING:	WALL OR CEILING

High quality, wear-resistant coating, highly colourfast, UV-resistant. Other RAL colours & special coatings on request.

profile specifications

Aluminium profile:



Colours with RAL code and lengths (m)

	RAL	4	5	6	7
white	9010	•		•	•
natural metallic				•	•

Mounting surface:

- wood
- masonry / concrete

Bracket type:

- ceiling bracket
- wall bracket
- spacer bracket

Bendings:

bending radius	bending tool
R 20 cm	1015
R 30 cm	1015
R > 100 cm	1018

R 20 cm

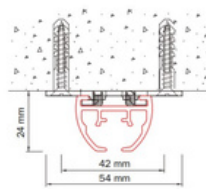
R > 100 cm

Flow

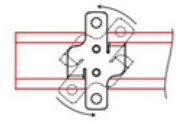
The Stansons Flow System keeps pleats in curtains consistent. It can be used with small and wide channel tracks and, because of the broad assortment of components, it can be integrated in hand-drawn, cord-pulled and electrically operated systems.

The Flow System can also be used with curved curtain tracks. For further information, see the Flow product data sheet.

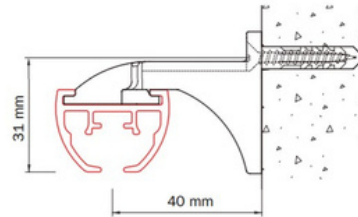
mounting



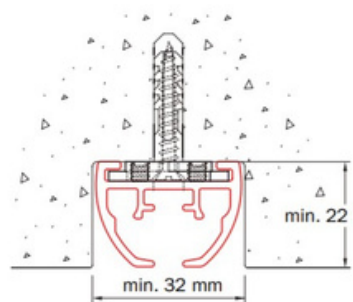
Ceiling mounting with ceiling bracket 6055-1000



Mounting: turn & click into place.



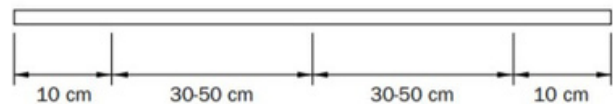
Wall mounting with bracket 6051



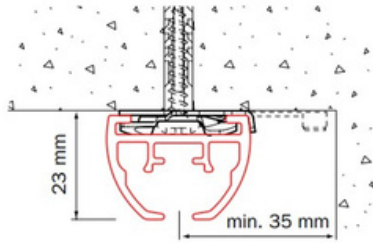
Concealed mounting on or in a ceiling with bracket 6055-2000

- When building in curtain tracks, allow for the over-lapping width
- Curved systems: bend profile first then use as template for the rebate
- Pre-drilling of profile

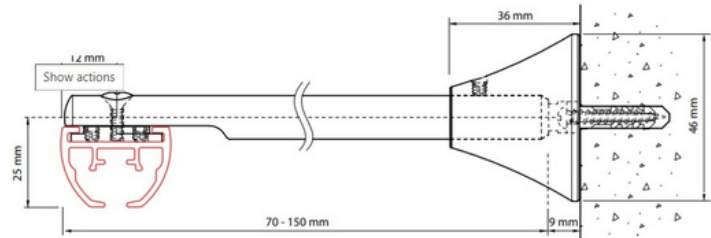
mounting guideline



The distance between the brackets can vary depending on the following factors: the mounting surface (wood, concrete or plaster), the weight of the curtains and the curtain fabric production method, the specific application and the system usage intensity. General advice: with the curtains open, place additional brackets where the pleats bunch together. Also place additional brackets before and after bends.

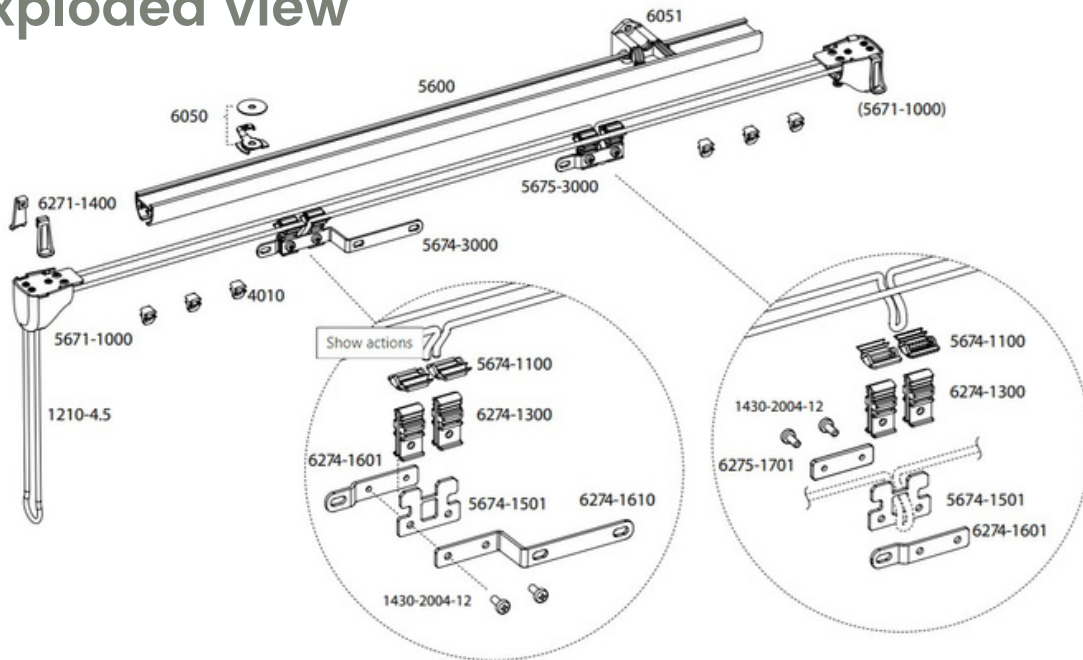


Ceiling mounting with fixing clamp 6050



Wall mounting with adjustable extension bracket 6017

exploded view



specification guide

Material:

- Aluminium EN AW-6060-T66.
- Anodised in accordance with the Qualanod standard.
- Powder coated in accordance with the Qualicoat standard..

