



4400 hand drawn track_

for light and medium weight curtains



STANSONS_

4400

hand drawn track

The Stansons 4400 track is an elegant rounded profile that can be mounted invisibly on a ceiling. The fange on the visible side minimises the gap between the ceiling and the track. The curtains glide smoothly virtually without sound. A very popular track that can be used in a wide variety of situations, such as private homes, but also in office buildings and in the care sector.

- The ideal track for sheers, medium-heavy or heavy curtains
- .Easy to bend and exceptional quality.
- Can be forward or reverse bent in different radii.
- Compatible with the Stansons Flow System for regularly pleated curtains.
- Silent and smooth running, also round bends. Compatible with LRS gliders.



standard colours

Natural anodised



RAL 9010 white



RAL 9005 black



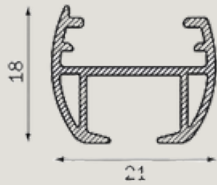
features

| | |
|-----------------|----------------------------------|
| MATERIAL: | ALUMINIUM |
| COLOUR: | WHITE NATURAL ANODISED, BLACK |
| DIMENSIONS: | 18 X 21 MM |
| WEIGHT PROFILE: | 229 GR/MI |
| MOUNTING: | WALL OR CEILING |

High quality, wear-resistant coating, highly colourfast, UV-resistant. Other RAL colours & special coatings on request.

profile specifications

Aluminium profile:



Colours with RAL code and lengths (m)

| | RAL | 4 | 5 | 6 | 7 |
|---------|------|---|---|---|---|
| white | 9010 | | | • | |
| natural | | | | • | |
| black | 9005 | | | • | |

Mounting surface:

- wood
- masonry/concrete

Bracket type:

- ceiling bracket
- spacer bracket

Bendings:

| bending radius | bending tool |
|----------------|--------------|
| R 10 cm | 1015 |
| R 15 cm | 1015 |
| R > 80 cm | 1018 |

R 10 cm

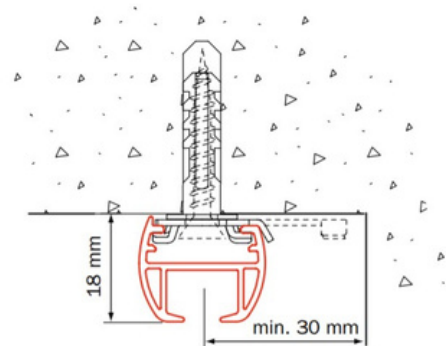
R > 80 cm

Flow:

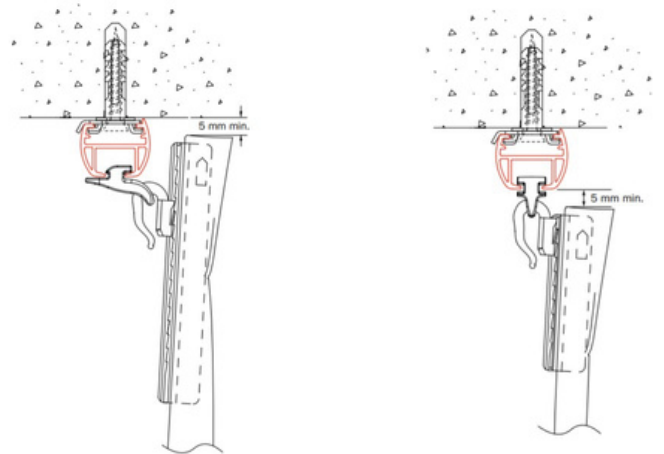
The Stansons Flow System keeps pleats in curtains consistent. It can be used with small and wide channel tracks and, because of the broad assortment of components, it can be integrated in hand-drawn, cord-pulled and electrically operated systems.

The Flow System can also be used with curved curtain tracks. For further information, see the Flow product data sheet.

mounting



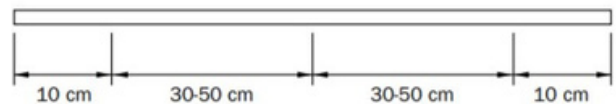
Ceiling mounting 4400 with fixing clamp 4450, including washer (a minimum gap of 30 mm has to be left for tightening the fixing clamp)



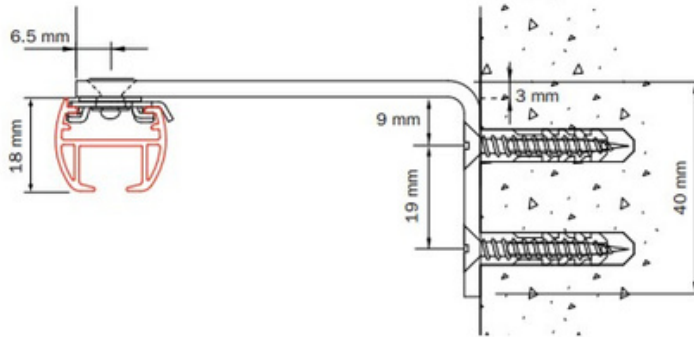
4400 with head with 6010

4400 with head with 4010

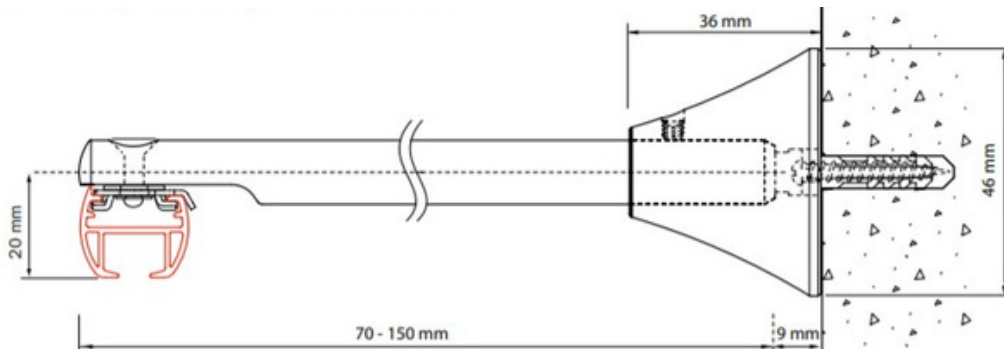
mounting guideline



The distance between the brackets can vary depending on the following factors: the mounting surface (wood, concrete or plaster), the weight of the curtains and the curtain fabric production method, the specific application and the system usage intensity. General advice: with the curtains open, place additional brackets where the pleats bunch together. Also place additional brackets before and after bends.



Wall mounting 4400 with spacer brackets 4415



Wall mounting 4400 with adjustable extension bracket 4417

specification guide

Material:

- Aluminium EN AW-6060-T66.
- Anodised in accordance with the Qualanod standard.
- Powder coated in accordance with the Qualicoat standard.

